

HMI special for ship navigation

CCSG series 15.6" 10.1" 7"

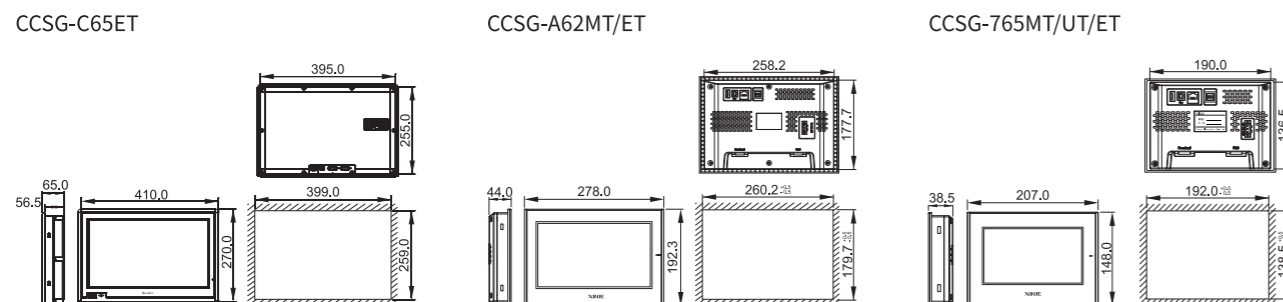
- Certified by China Classification Society, it is applicable to ships and marine facilities to meet the specific needs of the environment and ensure the stable and reliable operation of the system



| Product specification

Product model		CCSG-C65ET	CCSG-A62MT CCSG-A62ET	CCSG-765MT CCSG-765UT CCSG-765ET
Product features	Display size	15.6"	10.1"	7"
	Resolution	1366*768	1024*600	800*480
	LCD	TFT LCD display, LED backlight, 16.77 million colors		
	Display color	16.77 million colors		
	Brightness	250 cd/m ²	200 cd/m ²	
	Touch panel	Four-wire resistive touch panel		
	LCD life	Above 50000 hours, ambient temperature 25°C, 24-hour operation		
Interface	Memory	128MB		
	PLC port	RS232/RS422/RS485		
	Download port	RS232/RS485		
	USB-A port	USB flash disk port, USB2.0 standard, UT/ET models support		
	USB-B port	USB download port, USB2.0 standard		
Electrical features	Ethernet port	Standard RJ45 port, ET models support		
	Input voltage	DC24V (voltage range: DC22V~DC26V)		
	Consumption current	730mA	270mA	200mA
Environment	Allowable power loss	Below 10ms (actual power loss less than 1s)		
	Withstand voltage shock	AC1000V, 10mA, less than 1 minute		
	Insulation resistance	Above 10MΩ, DC500V		
	Operation temperature	0°C~50°C		
	Storage temperature	-20°C~60°C		
	Operation humidity	10%RH~90%RH (no condensation)		
	Anti-interference ability	Voltage noise: 1500Vp-p, pulse width 1us, 1 minute		
Dimension	Air	No corrosive gas		
	Cooling mode	Natural air cooling		
	Protection level	Front cover IP65		
	External dimension (mm)	410.0*270.0*65.0	278.0*192.3*44.0	207.0*148.0*38.5
Opening size (mm)	399.0*259.0	260.2*179.7	192.0*138.5	

| Appearance dimension drawing (Unit: mm)



Operate panel

OP series 3.7"

- OP series button type small-sized HMI, small and exquisite appearance
- The key function can be customized and can replace the mechanical button
- It has the basic functions of alarm, password, clock (optional), display bitmap, PLC control screen switching and so on
- Support the mainstream PLC and other control equipment in the market



| Product specification

Product model		OP330	OP320-A OP320-A-S	OP320 OP320-S
Product features	Display size	3.7"		
	Resolution	192*64		
	LCD	STN		
	Display color	Yellow green color		
	Brightness	Potentiometer adjustable		
	Touch panel	Not support		
	LCD life	Above 20000 hours, ambient temperature 25°C, 24-hour operation		
	Memory	64KB FlashROM		
	Character setting	Chinese, English		
	Character size	Chinese: 16*16 32*32 English: 8*16 16*32		
Interface	Button	26	20	7
	Communication port	general models support RS232/RS422, (-S) model supports RS232/RS485		
	Download port	RS232		
	USB-A port	/		
Electrical features	USB-B port	/		
	Ethernet port	/		
	Input voltage	DC24V (DC22V~26V)		
	Consumption current	<140mA		
Environment	Allowable power loss	Below 10ms (actual power loss less than 1s)		
	Withstand voltage shock	AC1000V, 10mA, less than 1 minute		
	Insulation resistance	Above 10MΩ, DC500V		
	Operation temperature	0°C~50°C		
	Storage temperature	-20°C~60°C		
	Operation humidity	10%RH~90%RH (no condensation)		
	Anti-interference ability	Voltage noise: 1500Vp-p, pulse width 1us, 1 minute		
Dimension	Air	No corrosive gas		
	Cooling mode	Natural air cooling		
	Protection level	Front cover IP65		
	External dimension (mm)	172.0*121.0*56.5	172.0*94.0*30.0	162.0*102.0*38.0
Opening size (mm)	164.0*113.0	164.2*86.8	156.5*94.0	

| Appearance dimension drawing (Unit: mm)

